

# 0.1" X 0.1" (2.54mm X 2.54mm) Pin Header Dual Row 06 to 80 Contacts 4.3mm Base

## APPLICATION AND FEATURES

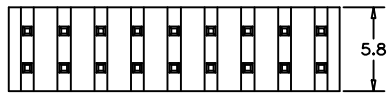
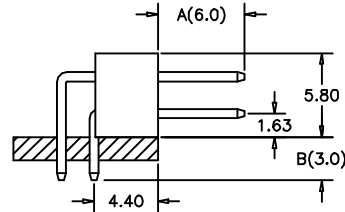
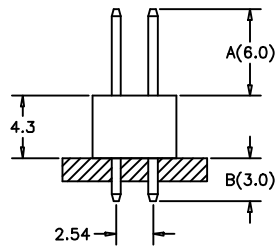
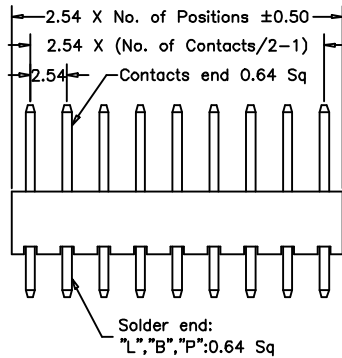
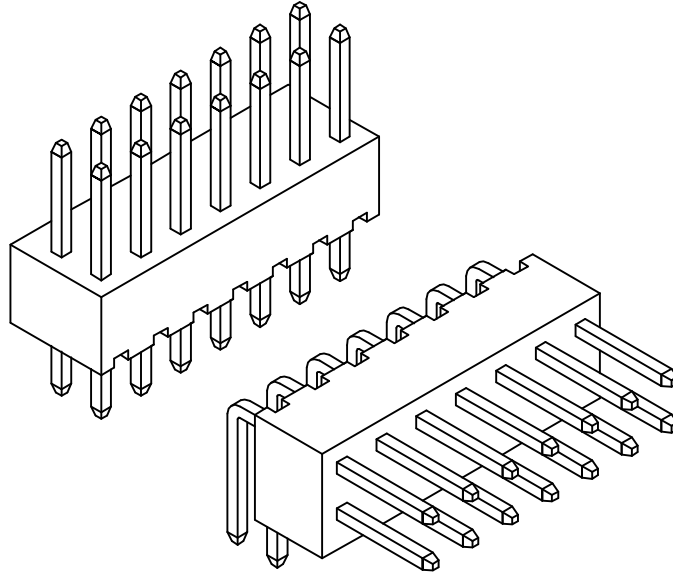
1. Variable pin length, gold or tin plated.
2. Mate with P.C.Board connectors.

## SPECIFICATIONS

Current Rating: 3 Amps  
 Insulator resistance: 5000 Megohms min.  
 Dielectric withstanding: AC 1000 V  
 Operating Temperature: -40~+105°C  
 Contact Material: Copper alloy  
 Insulator Material: Polyester, UL 94V-0  
 ©Standard: P.B.T

Finish: Tin, Gold plated

©Standard: Gold flash all over



unit:mm

## How to order

Please replace "X" with appropriate coding listed in the tables below

OLD P/N / NEW P/N

(XPHM) X H M - X X X - X - A / B

(Pin type)

### Number of Contacts

No. of contact = Code	
06 to 80 Contacts	
<b>Pin Type</b>	
Definition	Code
Pin Material:	
Brass	L
Bronze	B
Phosphor Bronze	P
©Standard: L	

### Connector Type

Definition	Code
Straight	S
Right Angle	R

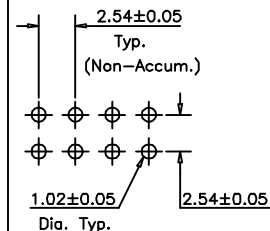
### Contact Plating

Definition	Code
© Tin plated:	A
© Gold plated:	
flash	B
15μ"	F
10μ"	E
30μ"	J
©Standard: B	

### Pin Length mm

A	B
6.0	3.0
if you desire an other length, by marking put desired length in the A / B.	
©Standard: 6.0/3.0	

Recommended P.C.Board Hole Layout



APTOS Technology - (831)-688-0881