

# 0.1" (2.54mm) Shrouded Header With Eject Latch Levers Dual Row

## APPLICATION AND FEATURES

1. Provides fast connection/disconnection of flat cable assembly (I.D.C socket)
2. Assures reliable flat cable-to-P.C.Board interconnection.
3. Fully shrouded.
4. Optional latching features positions coupling/uncoupling.

## SPECIFICATIONS

Current Rating: 3 Amps  
 Insulator resistance: 5000 Megohms min.  
 Dielectric withstanding: AC 1000 V  
 Operating Temperature: -40~+105°C  
 Contact Material: Copper alloy  
 Insulator Material: Polyester, UL 94V-0

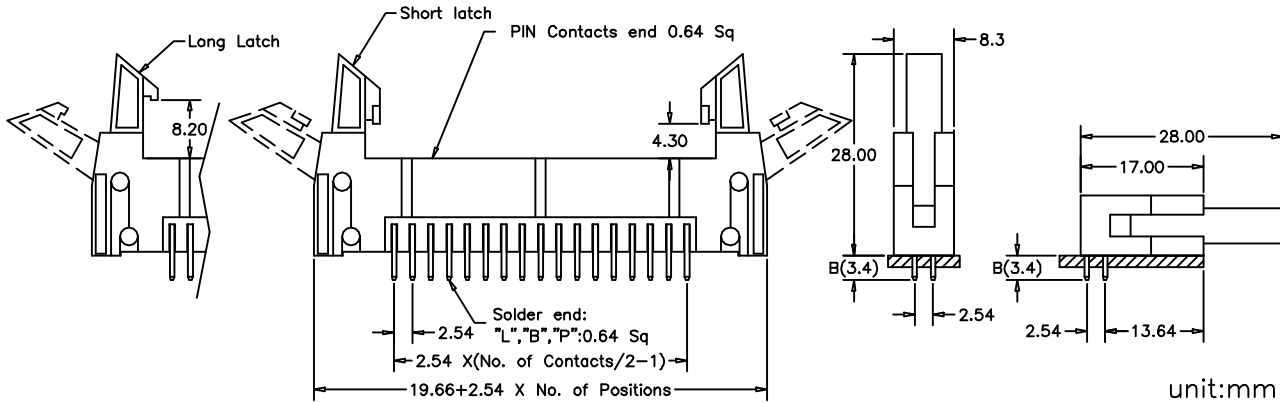
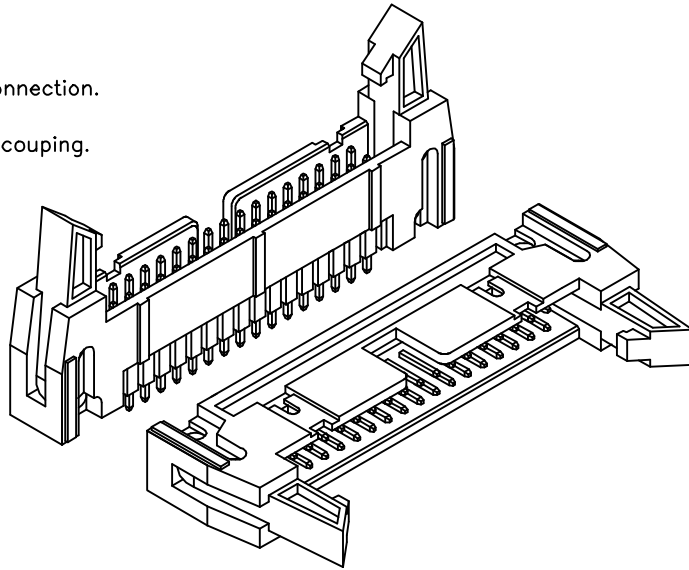
©Standard: P.B.T

Finish: Tin, Gold or Duplex plated

©Standard: Gold flash all over

©Note:

Duplex plating: gold plated on contact area,  
 Tin on solder area



## How to order

Please replace "X" with appropriate coding listed in the tables below

OLD P/N / NEW P/N

(XPHE)

X P H E

- X X X -

X -

B -

X

Optional

L: Long latch

S: Short latch

N: Without latch

(Pin type)

### Number of Contacts

No. of contact = Code  
 10, 14, 16, 20, 26, 30,  
 34, 40, 50, 60, 64,

### Pin Type

Definition	Code
------------	------

Pin Material:	
Brass	L
Bronze	B
Phosphor Bronze	P

©Standard: L

### Connector Type

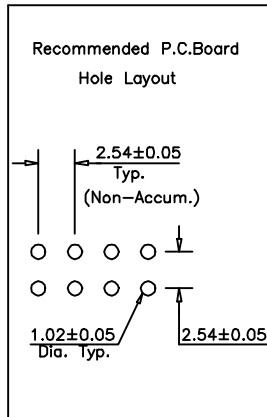
Definition	Code
Straight	S
Right Angle	R

### Contact Plating

Definition	Code
© Tin plated:	A
© Gold plated:	
flash B 15μ"	F
10μ" E 30μ"	J
© Duplex plating:	
flash K 15μ"	P
10μ" N 30μ"	U
©Standard: B	

### Pin Length mm

B
3.4
if you desire an other length, by marking put desired length in the B.
©Standard: 3.4



APTOS Technology - (831)-688-0881