

0.1" (2.54) Shrouded Header Single Row 04 Contacts

APPLICATION AND FEATURES

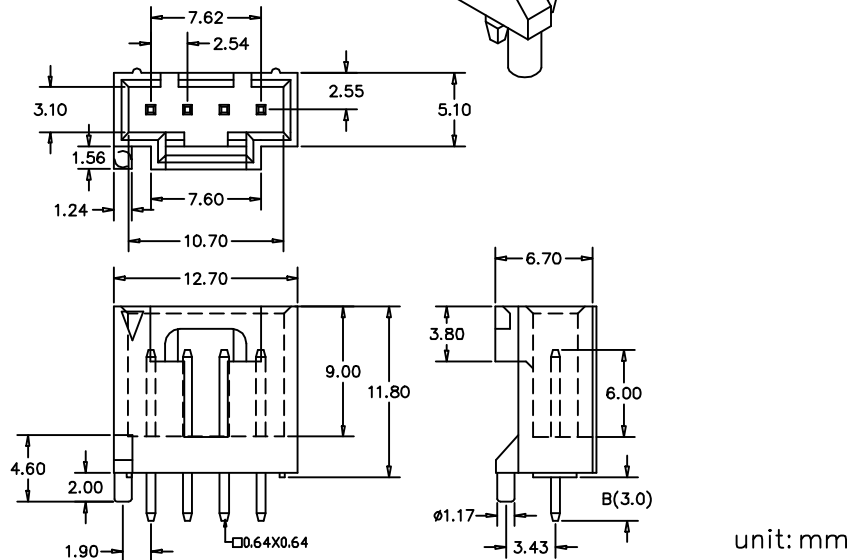
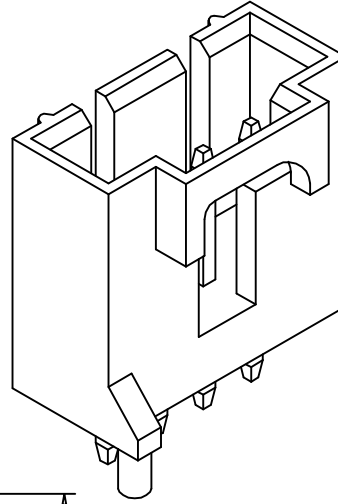
- Standoffs facilitate post solder cleaning.

SPECIFICATIONS

Current Rating: 3 Amps
 Insulator resistance: 5000 Megohms min.
 Dielectric withstanding: AC 1000 V
 Operating Temperature: -40°~+105°C
 Contact Material: Copper alloy
 Insulator Material: Polyester, UL 94V-0
 © Standard: P.B.T

Finish: Gold plated

© Standard: Gold flash all over



How to order

Please replace "X" with appropriate coding listed in the tables below

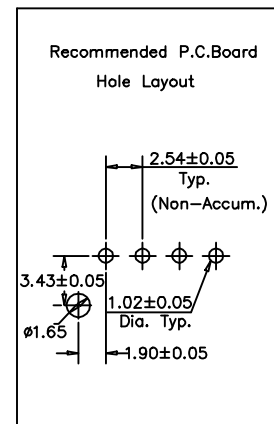
OLD P/N / NEW P/N

(XPHIA) X P H I A - 0 4 S - X - 030

Pin Type	
Definition	Code
Pin Material:	
Brass	L
Bronze	B
Phosphor Bronze	P
© Standard: L	

Contact Plating

Definition	Code
© Gold plated:	
flash	B 15μ" F
	10μ" E 30μ" J
© Standard: B	



APTOS Technology - (831)-688-0881