

# 0.1" (2.54) Shrouded Header Single Row 05 Contacts

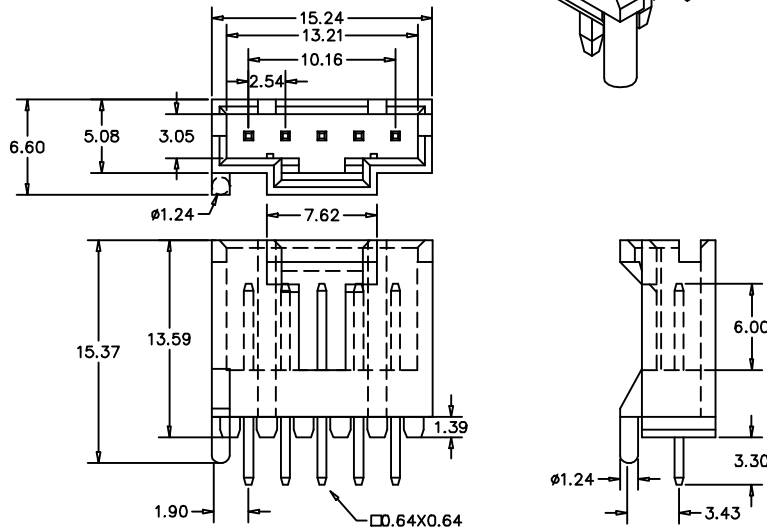
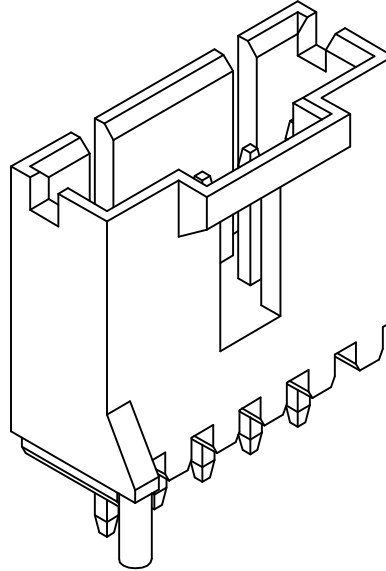
## APPLICATION AND FEATURES

- Standoffs facilitate post solder cleaning.

## SPECIFICATIONS

Current Rating: 3 Amps  
 Insulator resistance: 5000 Megohms min.  
 Dielectric withstanding: AC 1000 V  
 Operating Temperature: -40~+105°C  
 Contact Material: Copper alloy  
 Insulator Material: Polyester, UL 94V-0  
 © Standard: P.B.T

Finish: Gold plated  
 © Standard: Gold flash all over



unit: mm

## How to order

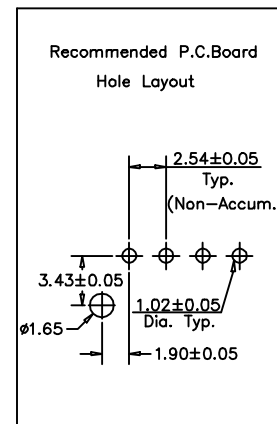
Please replace "X" with appropriate coding listed in the tables below

OLD P/N / NEW P/N  
 (XPHIB) X P H I B - 0 5 S - X - 033

Pin Type	
Definition	Code
Pin Material:	
Brass	L
Bronze	B
Phosphor Bronze	P
© Standard: L	

### Contact Plating

Definition	Code
© Gold plated:	
flash	B 15 $\mu$ " F
	10 $\mu$ " E 30 $\mu$ " J
© Standard: B	



APTOS Technology - (831)-688-0881