

0.1" (2.54mm) Box Header

Four Wall Shrouded

Dual Row Straight and Right Angle

APPLICATION AND FEATURES

1. Low-profile pin Headers are designed as mating devices for the I.D.C Socket.
2. Assures reliable flat cable-to-P.C.Board interconnection.
3. Fully shrouded.
4. No ejector latches for space saving.

SPECIFICATIONS

Current Rating: 3 Amps
 Insulator resistance: 5000 Megohms min.
 Dielectric withstanding: AC 1000 V
 Operating Temperature: -40~+105°C
 Contact Material: Copper alloy
 Insulator Material: Polyester, UL 94V-0

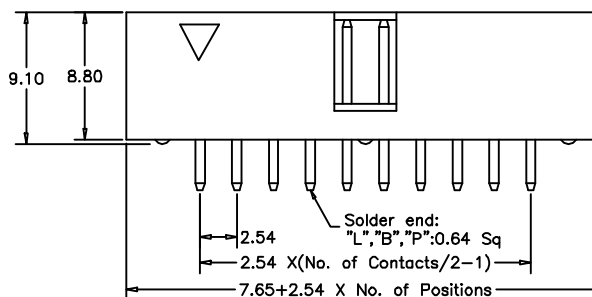
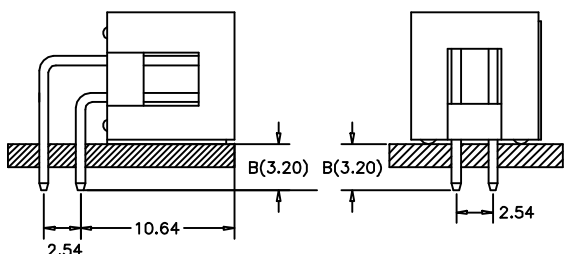
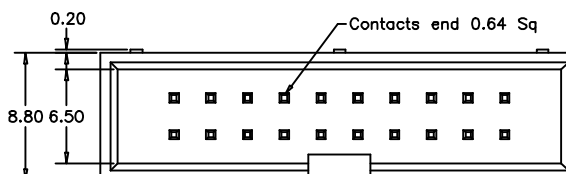
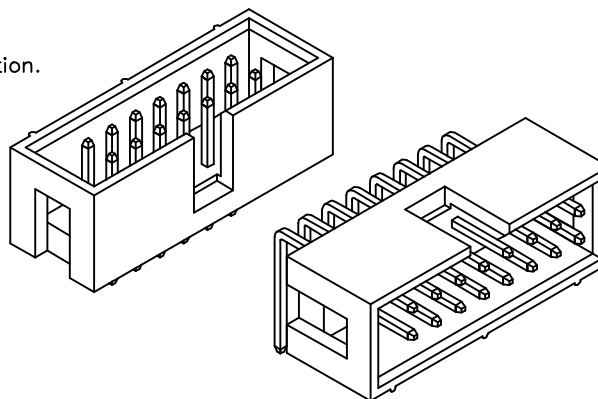
©Standard: P.B.T

Finish: Tin, Gold or Duplex plated

©Standard: Gold flash all over

©Note:

Duplex plating: gold plated on contact area,
 Tin on solder area



unit:mm

How to order

Please replace "X" with appropriate coding listed in the tables below

OLD P/N / NEW P/N

(XPHS) X P H S - X X X - X - B

(Pin type)

Number of Contacts

No. of contact = Code
06,08,10,14,16,20,24, 26,30,34,40,44,48,50, 60,64
Pin Type

Definition	Code
Pin Material:	
Brass	L
Bronze	B
Phosphor Bronze	P

©Standard: L

Connector Type

Definition	Code
Straight	S
Right Angle	R

Contact Plating

Definition	Code
© Tin plated:	A
© Gold plated:	
flash B 15μ" F	
10μ" E 30μ" J	
© Duplex plating:	
flash K 15μ" P	
10μ" N 30μ" U	
©Standard: B	

Pin Length mm

S-B	R-B
3.20	3.20
if you desire an other length, by marking put desired length in the B	
©Standard: 3.2	

Recommended P.C.Board Hole Layout

