

0.1"(2.54mm)X0.1"(2.54mm) Shrouded Header Dual Row 10 and 20 Contacts Profile:13.7mm

APPLICATION AND FEATURES

1. Variable pin length, gold or tin plated.
2. Standoffs facilitate post solder cleaning.
3. Mates with P.C.Board connectors.

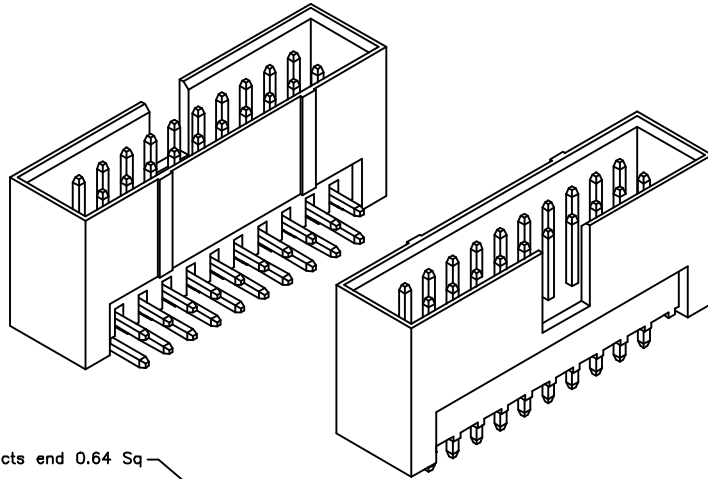
SPECIFICATIONS

Current Rating: 3 Amps
 Insulator resistance: 5000 Megohms min.
 Dielectric withstanding: AC 1000 V
 Operating Temperature: -40~+105°C
 Contact Material: Copper alloy
 Insulator Material: Polyester,UL 94V-0
 ◎Standard: P.B.T
 Finish: Tin,Gold or Duplex plated

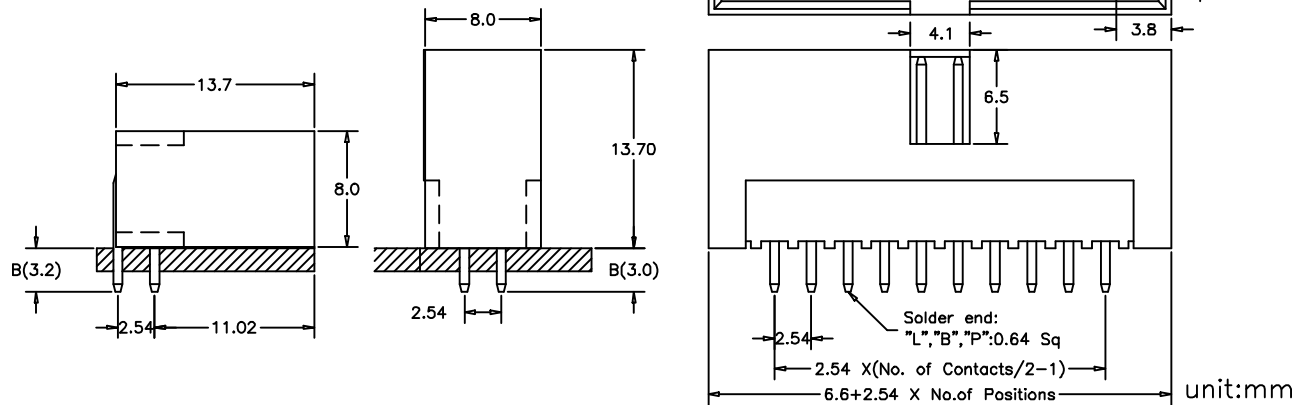
◎Standard: Gold flash all over

◎Note:

Duplex plating: gold plated on contact area,
 Tin on solder area



Contacts end 0.64 Sq



How to order

Please replace "X" with appropriate coding listed in the tables below

OLD P/N / NEW P/N

(XPST) X P S T - X X X - X - B

(Pin type)

Number of Contacts

No. of contact = Code	
10,20	
Pin Type	
Definition	Code
Pin Material:	
Brass	L
Bronze	B
Phosphor Bronze	P
◎Standard: L	

Connector Type

Definition	Code
Straight	S
Right Angle	R

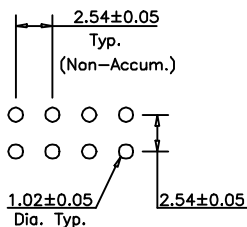
Contact Plating

Definition	Code
◎ Tin plated:	A
◎ Gold plated:	
flash B 15μ"	F
10μ" E 30μ"	J
◎Duplex plating:	
flash K 15μ"	P
10μ" N 30μ"	U
◎Standard: B	

Pin Length mm

B
"S" Type 3.0
"R" Type 3.2
if you desire an other length, by marking put desired length in the B.
◎Standard: S 3.0, R 3.2

Recommended P.C.Board Hole Layout



APTOS Technology - (831)-688-0881