

0.1" (2.54mm) Edge Card Connector

Dual Row 6 to 120 Contacts

Straight and Right Angle

APPLICATION AND FEATURES

1. 2.54mm contact center pitch.
2. Bifurcated anti-lever beam type.
3. Accept P.C.Board of thickness 1.4~1.6mm.
4. For easy insertion and extraction to P.C.Board without damaging.

SPECIFICATIONS

Current Rating: 3 Amps
 Insulator resistance: 5000 Megohms min.
 Contact resistance: 20 m ohms max.
 Dielectric withstanding: AC 1000 V
 Operating Temperature: -40~+105°C
 Contact Material: Phosphor bronze or Brass
 Insulator Material: Polyester, UL 94V-0

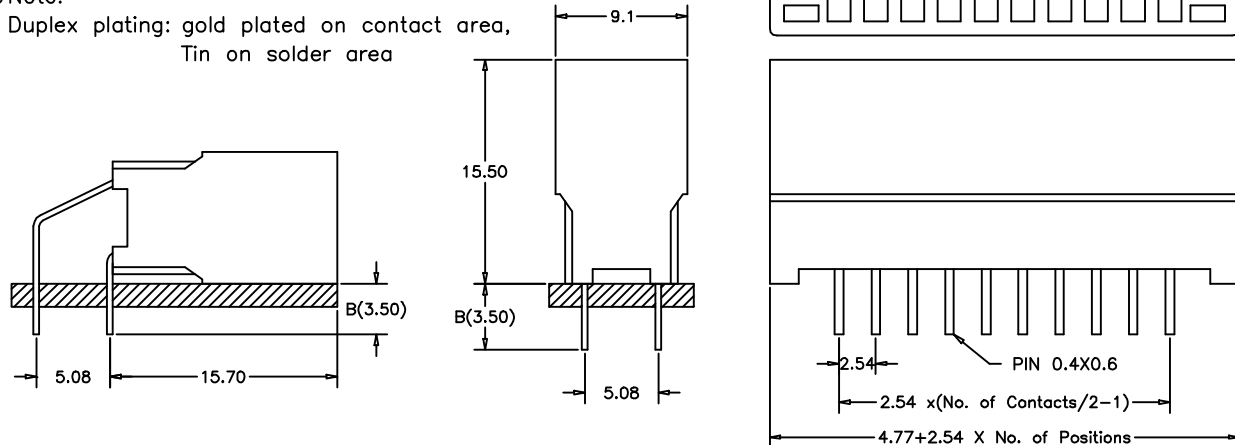
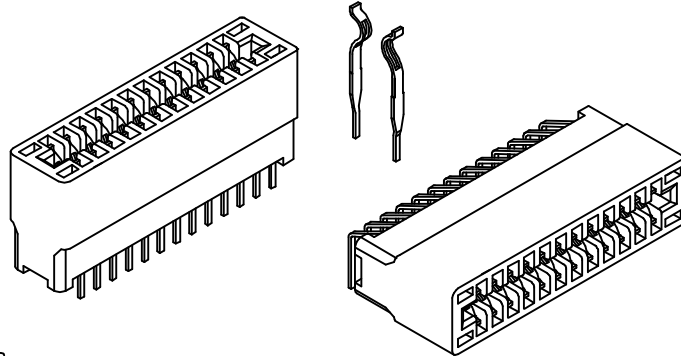
©Standard: P.B.T

Finish: Gold or Duplex plated

©Standard: Duplex plating

©Note:

Duplex plating: gold plated on contact area,
 Tin on solder area



unit:mm

How to order

Please replace "X" with appropriate coding listed in the tables below

OLD P/N / NEW P/N
 (XSL0T) X S L O T - X X X - X - 035

Pin Type		Number of Contacts	Connector Type		Contact Plating	
No. of Definition		No. of contact = Code	Definition	Code	Definition	Code
Pin Material		06 to 98 Contacts	Straight	S	©Duplex plating:	
Brass	B	100 Contacts = A0	Right Angle	R	flash	K
Phosphor Bronze	P	108 Contacts = A8				
		120 Contacts = C0				
©Standard: B						

Recommended P.C.Board Hole Layout

APTOS Technology - (831)-688-0881