

.079" (2.0mm) Pin Header 4.3mm Base Dual Row, Straight and Right Angle 06 to 80 Contacts

APPLICATION AND FEATURES

- Standoffs facilitate post soldering clean.
- Variable pin length, selective gold or tin plated.
- Mate with 2.0mm pitch P.C.Board
Female Connector and shunt connector.

SPECIFICATIONS

Current Rating: 1 Amp
 Insulator resistance: 5000 Megohms min.
 Dielectric withstanding: AC 500 V
 Operating Temperature: -40° - +105°C
 Max Processing Temp: 230° for 30 seconds
 Contact Material: Copper alloy
 Insulator Material: Polyester, UL 94V-0

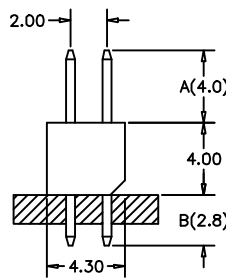
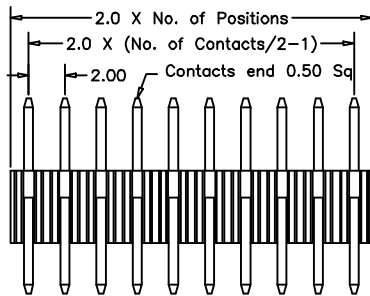
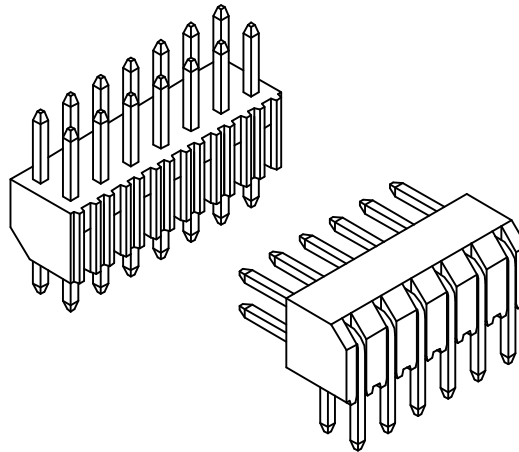
©Standard: Nylon-6T

Finish: Tin, Gold or Duplex plated

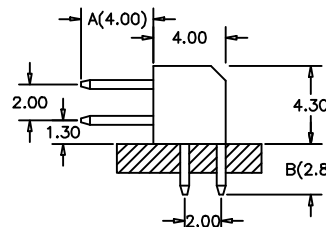
©Standard: Duplex plated

©Note:

Duplex plating: gold plated on contact area,
Tin on solder area



Type: "S1"



Type: "R"

unit:mm

How to order

Please replace "X" with appropriate coding listed in the tables below

OLD P/N / NEW P/N

(XPTT2)

X T T - X X X X - X - A / B

Pin type

Number of Contacts

No. of contact = Code	
06 to 80 Contacts	
Pin Type	
Definition	Code
Pin Material:	
Brass	L
Bronze	B
Phosphor Bronze	P
©Standard: P	

Connector Type

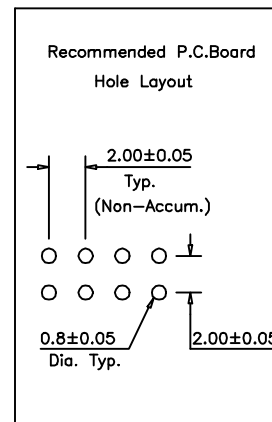
Definition	Code
Straight 4.0mm Base	S1
Right Angle 4.3mm Base	R
©Standard: S1 R	

Contact Plating

Definition	Code
© Tin plated:	A
© Gold plated:	
flash B 15μ"	F
10μ" E 30μ"	J
© Duplex plating:	
flash K 15μ"	P
10μ" N 30μ"	U
©Standard: K	

Pin Length mm

A	B
4.0	2.8
if you desire an other length, by marking put desired length in the A / B.	
©Standard: 4.0/2.8	



APTOS Technology - (831)-688-0881