

0.031" (0.80mm) Female Header

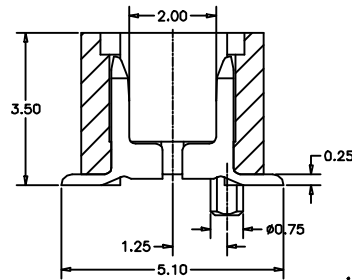
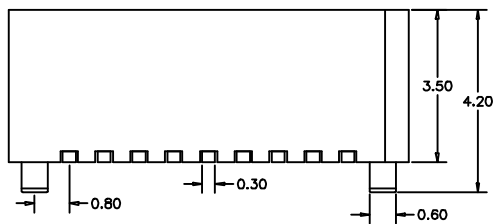
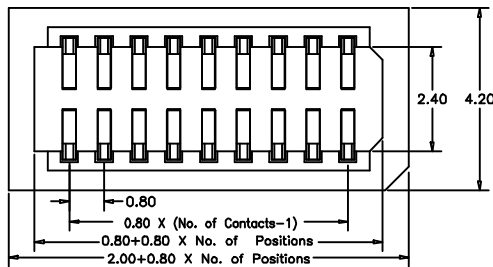
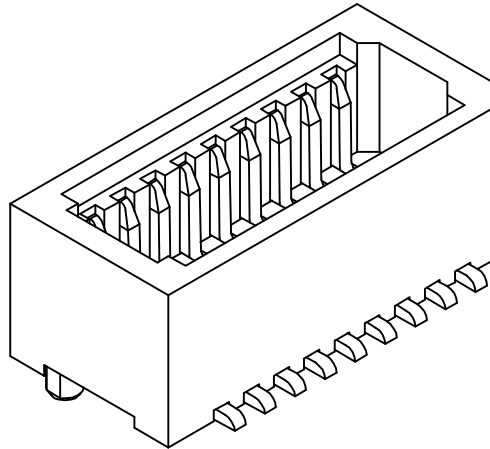
Dual Row 04 to 100 Contacts SMT Vertical Type

APPLICATION AND FEATURES

1. Ribbon mating type.
2. 4.60mm mated height

SPECIFICATIONS

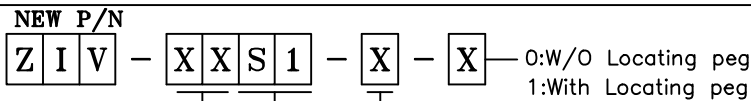
Current Rating: 0.5 Amps
 Insulator resistance: 100 Megohms Min.
 Contact resistance: 40 m ohm Max.
 Dielectric withstanding: AC 500 V
 Operating Temperature: -40°~+105°C
 Contact Material: Phosphor bronze
 Insulator Material: Polyester, UL 94V-0
 © Standard: L.C.P
 Finish: Gold all over nickel



unit:mm

How to order

Please replace "X" with appropriate coding listed in the tables below



Number of Contacts

No. of contact = Code
10 to 36 Contacts
40
50
60
70
80
90
100 Contacts = A0

Connector Type

Definition	Code
Height: 3.5mm	S1

Contact Plating

Definition	Code
© Gold plated:	
flash	B

Recommended P.C.Board SMD Layout

