

# 0.031" (0.80mm) Pin Header

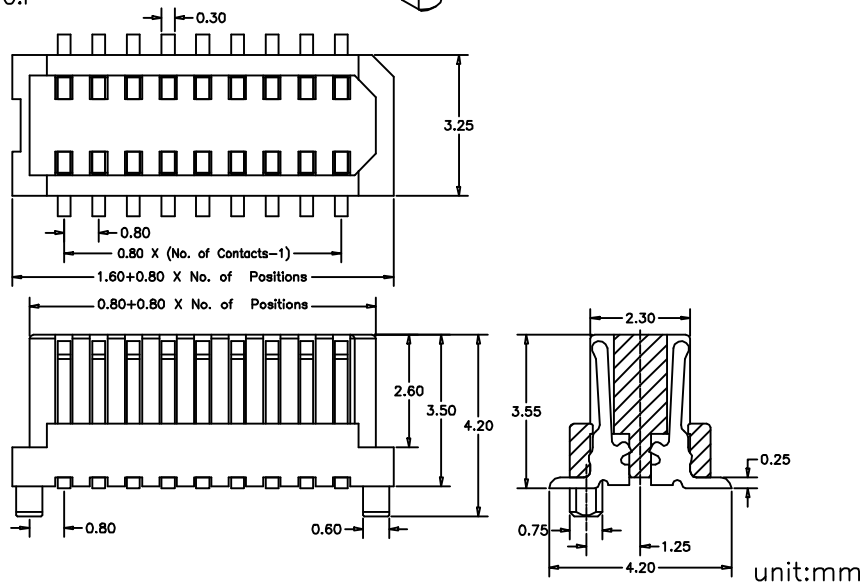
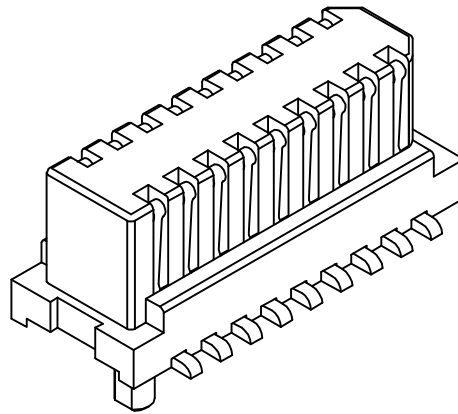
## Dual Row 04 to 100 Contacts SMT Vertical Type

### APPLICATION AND FEATURES

1. Ribbon mating type.
2. 4.60mm mated height.

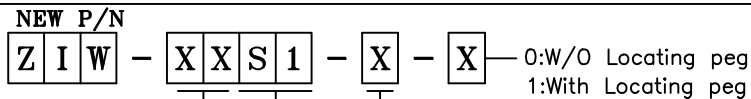
### SPECIFICATIONS

Current Rating: 0.5 Amps  
 Insulator resistance: 100 Megohms Min.  
 Contact resistance: 40 m ohm Max.  
 Dielectric withstanding: AC 500 V  
 Operating Temperature: -40°~+105°C  
 Contact Material: Phosphor bronze  
 Insulator Material: Polyester, UL 94V-0  
 ©Standard: L.C.P  
 Finish: Gold all over nickel



### How to order

Please replace "X" with appropriate coding listed in the tables below



#### Number of Contacts

No. of contact = Code
10 to 36 Contacts
40
50
60
70
80
90
100 Contacts = A0

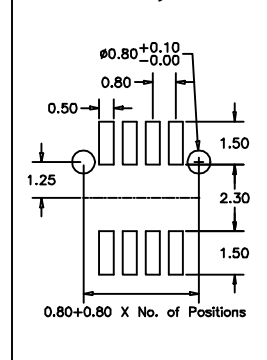
#### Connector Type

Definition	Code
Height: 3.5mm	S1

#### Contact Plating

Definition	Code
© Gold plated:	
flash	B

#### Recommended P.C.Board SMD Layout



APTOS Technology - (831)-688-0881